

STANLEY[®]
Security Solutions



B SERIES
PADLOCKS



TABLE OF CONTENTS		Page			Page
General Information.....		2	Accessories / Options (continued)		6-9
Shackle Chart		2	21BSH shroud option.....		7
Patents		2	Cables		7
11B/12B Series		3	Special stamps.....		8
21B/22B Series		4	Frangible shackle option		8
41B/42B Series		5	Chain options		8
Accessories / Options		6-9	Lockout/Tagout		9
Car seal option.....		6	Patented keying system.....		10
Weather cover option.....		6	Repair and parts		11
Double lockout "safety first" option.....		6			

GENERAL INFORMATION

At the heart of every Stanley/Best padlock is a standard key removable core that is interchangeable throughout most of the entire line of BEST products. This standardization permits Stanley/BEST locks of any type, size or style to be masterkeyed into one system which can expand to include future locking needs.

All padlocks utilize the interchangeable core which allows immediate rekeying at minimal cost. Padlocks are available in various case sizes and brass or stainless steel shackle sizes (see chart below). Brass or aluminum cases with brass shackles are also available. Options include key retained / non-key retained, bronze or steel chains, special case embossing (Brass case only), corrosion resistance, car seal. See pages 6-9 for a complete list of options available.

B SERIES SHACKLE CHART

Shackle Material	Brass			Stainless Steel			Hardened Steel		
	11B	21B	41B	11B	21B	41B	11B	21B	41B
Series	11B	21B	41B	11B	21B	41B	11B	21B	41B
Shackle Diameter	1/4"	5/16"	3/8"	1/4"	5/16"	3/8"	1/4"	5/16"	3/8"
ASTM Grade	x	x	x	3	4	3	4	4	4
Cut Resistance	x	x	x	3	4	5	6	6	6
Corrosion	x	x	x	6	6	6	6	6	6
Tensil	x	x	x	4	4	4	4	4	4
Shock	x	x	x	6	4	3	4	4	4

PATENTS

Products protected by one or more of the following patents:

- | | | | |
|-----------|-----------|-----------|-----------|
| 3,603,123 | 4,075,878 | 3,882,699 | 3,850,014 |
| 3,652,114 | 3,728,879 | 3,605,458 | 4,244,093 |
| 4,386,510 | 4,424,693 | 4,444,034 | 4,655,063 |
| D290,085 | 5,590,555 | 5,794,472 | |



Specifications

Case– Machined from solid extruded brass or aluminum.

Standard finish is 626 satin chromium plated.

Width– 1 5/8"

Length– 2 1/16"

Thickness– 25/32"

Shackle– The shackle locks at both heel and toe.

The length of shackle opening is measured from top of case to inside of shackle when padlock is locked.

Material– Brass or stainless steel

Diameter– 1/4"

Width of opening– 7/8"

ASTM F883– Meets Grade 3 with stainless steel shackle.

ASTM F883– Meets Grade 6 for option E. (Corrosion resistance).



11B Padlock



11B72 Actual Size

11B722 Actual Size

11B772 Actual Size

11B782 Actual Size

11B/12B – HOW TO ORDER

11B Series	7 Core	2 Shackle Housing	T Function Height	Chain Code	Special Option	Options Stamp No.
11B – brass 1/4" diameter 12B – aluminum 1/4" diameter	7– 7 pin housing accepts all Best cores	Steel 2 – 3/4" 22 – 1 1/2" 72 – 2" 82 – 4" Brass 0 – 3/4" 20 – 1 1/2" 70 – 2" 80 – 4"	T– key retained L– non-key retained	M – case drilled for clevis only M1* – bronze chain (available for brass padlocks only) M5* – galvanized steel chain (page 8)	Blank – Best logo PS1010 – safety first (available 11B only) Specify padlock stamp number or describe stamp. (11B only.) Price for special stamps on request. (page 8)	F3 – frangible shackle (11B720 only) 606 – satin brass (11B only) ZZ – double lockout Red – anodized finish (12B only) Black – anodized finish (12B only) (pages 6-9)

21B/22B SERIES

Specifications

Case– Machined from solid extruded brass or aluminum.

Standard finish is 626 satin chromium plated.

Width– 1 ²⁵/₃₂"

Length– 2 ¹/₁₆"

Thickness– ¹³/₁₆"

Shackle– The shackle locks at both heel and toe. The length of shackle opening is measured from top of case to inside of shackle when padlock is locked.

Material– Stainless steel

Diameter– ⁵/₁₆"

Width of opening– ⁷/₈"

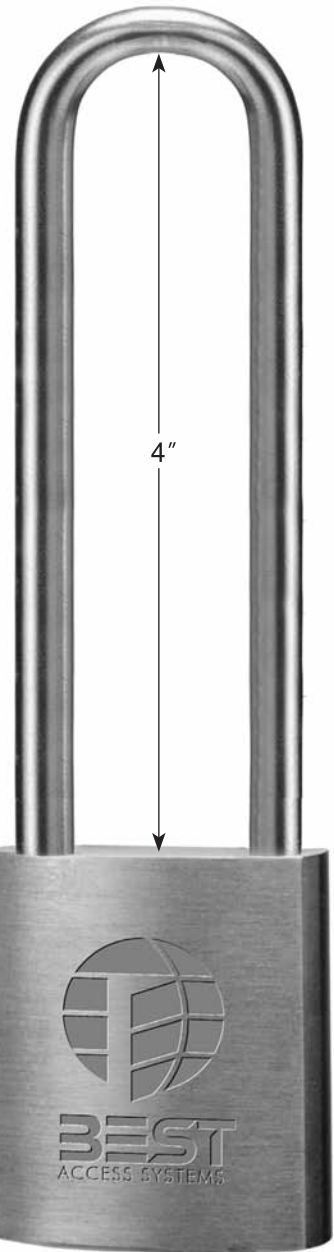
ASTM F883– Meets Grade 4 with stainless steel shackle.

ASTM F883– Meets Grade 6 for shackle cutting force with XSPL shackle option.

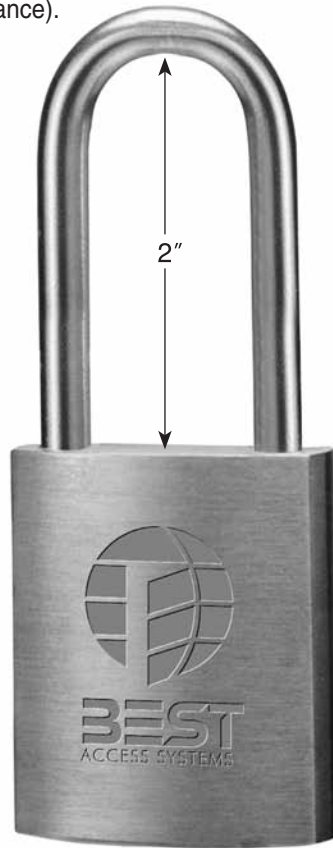
ASTM F883– Meets Grade 6 for option E. (Corrosion resistance).



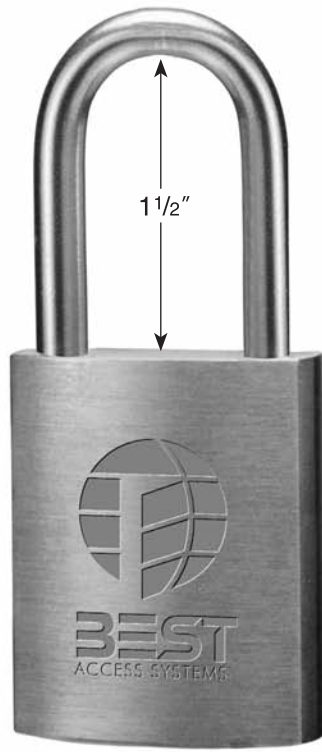
21B Padlock



21B782 Actual Size



21B772 Actual Size



21B722 Actual Size



21B72 Actual Size

21B/22B – HOW TO ORDER

21B Series	7 Core Housing	2 Shackle Code	T Function	Chain Option	Special Stamp No.	Options
21B– brass ⁵ / ₁₆ " dia.	7– 7 pin housing accepts all Best cores	Steel	T– key retained L– non-key retained	M– case drilled for clevis only M1– bronze chain (21B only) M5– galvanize steel chain with grey polycoating (page 8)	Blank– Best logo PS1010– safety first (21B only) Specify padlock stamp number or describe stamp. (21B only) Price for special stamps on request. (page 8)	606– satin brass (21B only) SH– shrouded with cut resistant shackle (21B only) WC– weather cover XSPL– cut resistant shackle Red– anodized finish (22B only) Black– anodized finish (22B only) (pages 6-9)
22B– aluminum ⁵ / ₁₆ " dia.		Brass				
		2 – ³ / ₄ " 21 – 1" w/shroud 22 – 1 ¹ / ₂ " 72 – 2" 82 – 4" 0 – ³ / ₄ " 20 – 1 ¹ / ₂ " 70 – 2" 80 – 4"				

Specifications

Case– Machined from solid extruded brass or aluminum.
 Standard finish is 626 satin chromium plated.
Width– 1 15/16"
Length– 2 1/16"
Thickness– 7/8"

Shackle– The shackle locks at both heel and toe.
 The length of shackle opening is measured from top of case to inside of shackle when padlock is locked.

Material– Stainless steel
Diameter– 3/8"
Width of opening– 7/8"

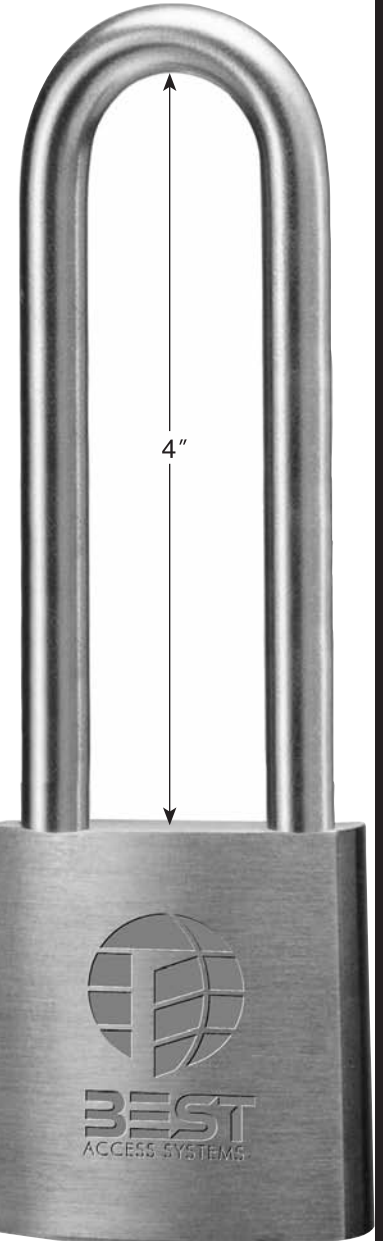
ASTM F883– Meets Grade 3 with stainless steel shackle, grade 4 with XSPL shackle.

ASTM F883– Meets Grade 6 for option E. (Corrosion resistance).

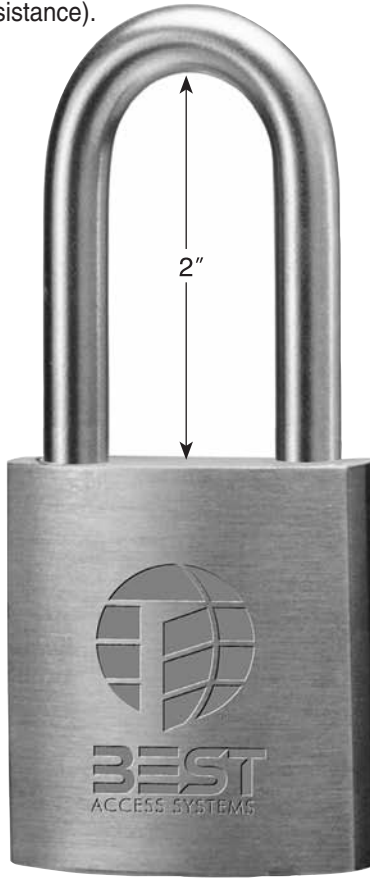
ASTM F883– Meets Grade 6 for shackle cutting force with XSPL shackle option



41B Padlock



41B782 Actual Size



41B772 Actual Size



41B722 Actual Size



41B72 Actual Size

41B/42B – HOW TO ORDER

41B Series	7 Core Housing	2 Shackle Height	T Function	Chain Option	Special Stamp No.	Options
41B– brass 3/8" diameter	7– 7 pin housing all Best cores	Steel	T– key retained L– non-key retained	M– case drilled for chain M1– bronze chain (41B only) M5– galvanize steel chain with gray polycoating	Blank– Best logo Specify padlock stamp number or describe stamp. (41B only.) Price for special stamps on request.	606– satin brass (41B only) S– car seal slot (41B only) WC– weather cover XSPL– cut resistant shackle Red– anodized finish (42B only) Black – anodized finish (42B only)
42B– aluminum 3/8" diameter		Brass				
		0 – 3/4" 20 – 1 1/2" 70 – 2" 80 – 4"				

ACCESSORIES AND OPTIONS

S- Car Seal Option

Available in all 41B padlocks. Case is slotted below the core to accommodate most popular car seal bands. When in place, car seal band insures tampered with. Seals are available direct from car seal manufacturers. A special long blade key is required for 7-pin systems. When ordering simply add "S" to the option column of the 41B nomenclature.



41B car seal feature

WC- Weather Cover Option

Available in 21B/22B and 41B42B padlocks. The padlock weather covers are molded durable PVC that won't chip or corrode and resists acids, oils and abrasion. When ordering add "WC" to option column of the padlock nomenclature.



21B & 41B weather option

ZZ- Double Lockout/Safety First Option

Available in 11B only, the double lockout safety padlock provides additional safety for maintenance crews making repairs in widely separated areas. The shackles of 11B padlocks are passed through holes in the extended skirt at the base of this lock. As long as either 11B padlock remains in place, the lock-out safety padlock cannot be unlocked. Elliptical solid brass case is 1 1/2" wide and is stamped with words "Safety First" on one side. Holes at base of case will accommodate 11B shackles only. Minimum shackle opening should be 1 1/4". A long blade key is required for 7-pin systems. Dust cover cannot be used with double lockout.



11B double lockout option

21BSH– Shroud Option

Features & Benefits

- Cast stainless steel shroud with black powder-coated finish
- Through hardened shackle for cut resistance
- Utilized same internal components and body as standard 21B padlock
- Accepts all Best cores, with Standard, Premium, Peaks™ keying system
- Meets ASTM F883 Grade 4; meets Grade 6 for cut resistance
- Available in either key retained or non-key retained



21B with Stainless Steel Shroud

21B SHROUD – HOW TO ORDER

21B	7	21	L			SH
Shackle Diameter	Core	Shackle Housing	Function Code	Chain Option	Special Stamp No.	Options
21B– 5/16" dia.	7– 7-pin housing accepts all BEST cores	21– 1" shackle opening	T– key retained L– non-key retained	N/A for shroud option	N/A for shroud option	SH– shroud with cut resistant shackle (21B only)

21JB SERIES

21JB– Cable Padlock

Specifications

Case– Machined from extruded brass. Standard finish 626 satin chromium plated.

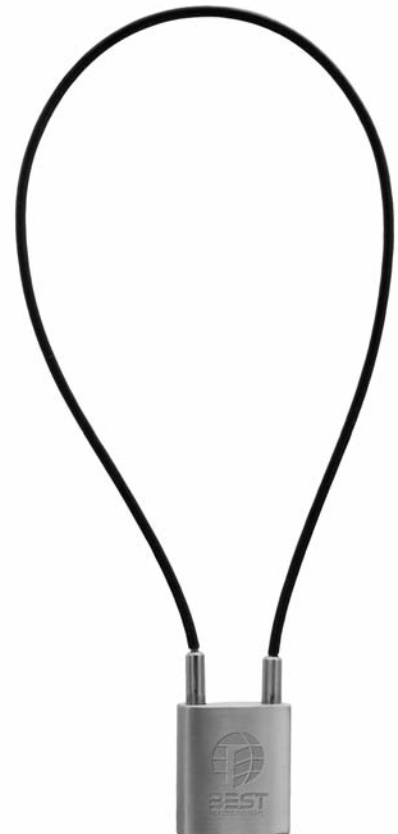
Width– 1 25/32"

Length– 2 1/16"

Thickness– 27/32"

Shackle Cable: Diameter 1/8" stainless steel. Length variable. 18" standard unless specified other length.

Cable jacket: A tough plastic coating protects vulnerable surfaces. Measure cable length from top of case to top of case.



21JB7 - 18

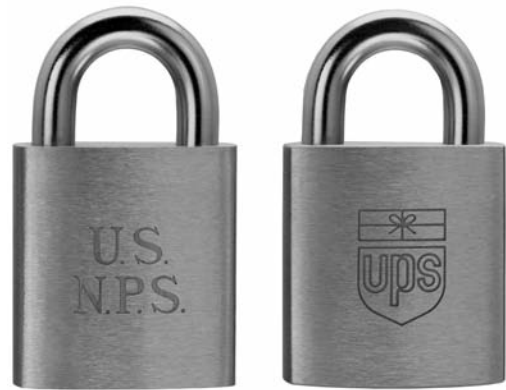
21JB – HOW TO ORDER

Series Housing	Core Length	Cable	Options
21JB– cable padlock	7– 7 pin housing accepts all Best cores	18– 18" 24– 24" 36– 36" 42– 42" 48– 48" 54– 54"	606– clear coated satin brass

ACCESSORIES AND OPTIONS

Special Stamped Padlocks

Upon special request, and at no charge other than the initial cost of the die, Stanley/BEST padlocks may be die-stamped with the customer's identification as specified. If stamp has been previously ordered, specify stamp number. (Brass padlocks only.)



Samples of Padlock Stamping

F3- Option Frangible Shackle

Available in 11B series only. The frangible shackle padlock is designed for fire and safety equipment, cabinets, etc. where casual entry needs to be prevented. During emergency, the shackle may be snapped by a hard blow or strong, steady pressure permitting entry without use of a key. (Check lock regulations). A brass 1 1/2" – number 20 size shackle is made frangible through use of special break point. Broken shackles are easily replaced in the field and may be ordered separately. A complete frangible shackle kit (including three frangible shackles, three shackle springs and one padlock disassembly tool) may be ordered with each padlock order.



Frangible Shackle Kit

To order kit specify: **11BFK**

M-Option Chains

Chains may be supplied with padlock. When ordering clevis and chains, add M1 or M5 to padlock nomenclature. Standard chain length is 9", special length chains available upon request.



M1 – 9"
Bronze Chain



M5 – 9"
Galvanized Steel Chain with Gray Plastic Polycoat Cover

OSHA requires that a Lockout/Tagout system be placed upon energy control devices to ensure that machines and equipment are isolated from all energy sources before employees perform service or maintenance activities. This is particularly necessary where the unexpected energization, start-up, or release of stored energy could cause injury or equipment damage. Stanley Security Solutions' Lockout/Tagout system includes six durable PVC vinyl coated BEST padlocks with Lockout/Tagout devices (11B/12B, 21B/22B, 41B/42B).

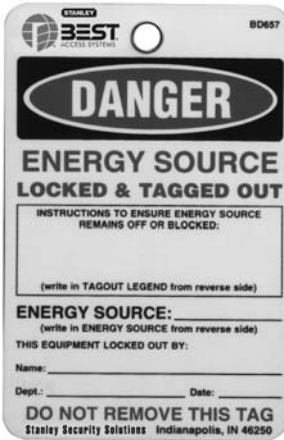
The OSHA vinyl coated padlocks will not chip or corrode. They also resist acids, oils or abrasions. Available is an OSHA accepted 6-padlock red polyresin coated aluminum lockout (BD655), and easy-to-read energy source identification tags. In addition to names of the workers, our tags can provide pertinent information, i.e. where the worker can be located. Details of OSHA Lockout/Tagout standard can be found in the code of Federal Regulations for labor at Title 29 part 1910.147, the control of hazardous energy Lockout/Tagout.



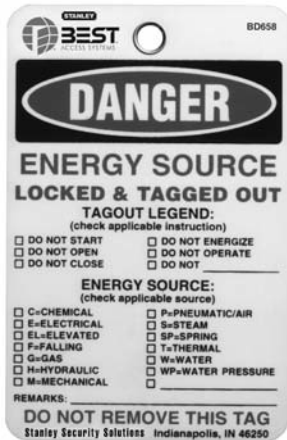
Lockout/Tagout Padlocks



Lockouts
BD655



Front
Identification Tag
BD657 (includes one tie per tag)
Tagout Tag
BD658 (includes one tie per tag)



Back
Identification Tag

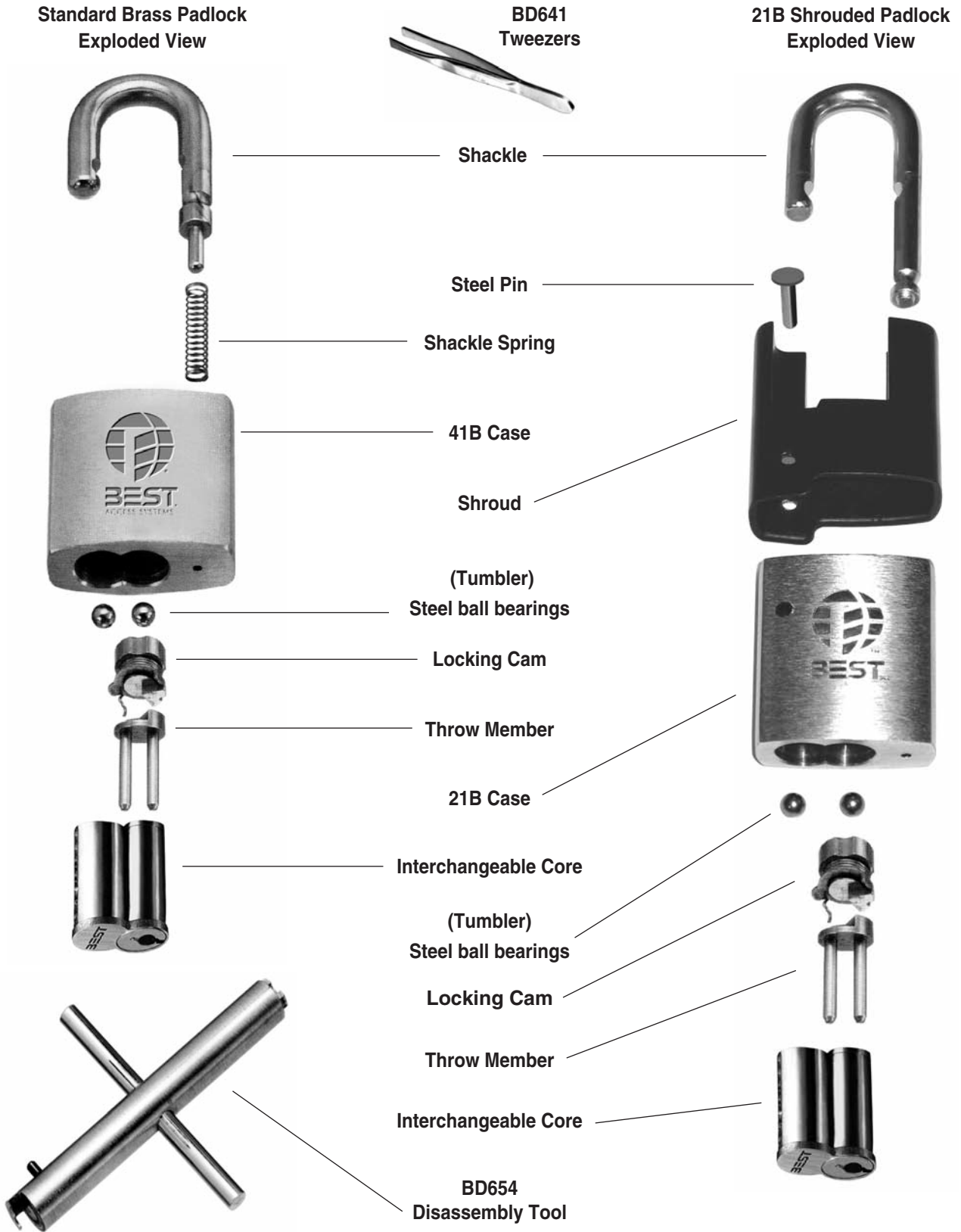
LOCKOUT/TAGOUT PADLOCKS – HOW TO ORDER

11B Padlock Series	7 Core Housing	2 Shackle Code	T Function Option	Chain	Special Stamp No.	O/OR Options
11B/12B- 1/4" 21B/22B- 5/16" 41B/42B- 3/8"	7- 7 pin housing accepts all Best cores					Vinyl Cases O/RED- Red O/YEL- Yellow O/BLU- Blue O/BLA- Black O/ORO- Orange O/GRE- Green
For specific order procedures and complete specifications, see pages 3 through 7						

PADLOCK REPAIR AND PARTS

11B/12B – 21B/22B – 41B/42B Series

With the simplest of tools, proper replacement parts and minimal training, all Stanley/BEST padlocks can be used for the duration of any installation. Listed below are the parts and tools required for the various series of padlocks. Contact your local Stanley Security Solutions office for special instruction and information about factory seminars for padlock repair. Stanley/BEST padlocks can be repaired and worn parts replaced, virtually eliminating padlock replacement costs.

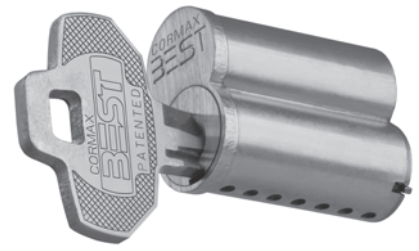


CORMAX™ PATENTED KEYING SYSTEM

One of the greatest threats to key control within your facility is the unauthorized duplication of keys; one simple solution is the use of the CORMAX™ Patented Keying System.

Very seldom can a single product meet all of your exact needs, and often your level of convenience must be sacrificed to fit the capabilities of the product. The CORMAX Patented Keying System provides you with a significant amount of flexibility, enabling a solution that fits your unique balance between security and convenience.

The CORMAX Patented Keying System is available in two series of keyways, the M Series and the X Series. Each series offers a different blend of features. For example the CORMAX Patented Keying System can provide geographic exclusivity to the customer to help you maximize convenience while optimizing your security.



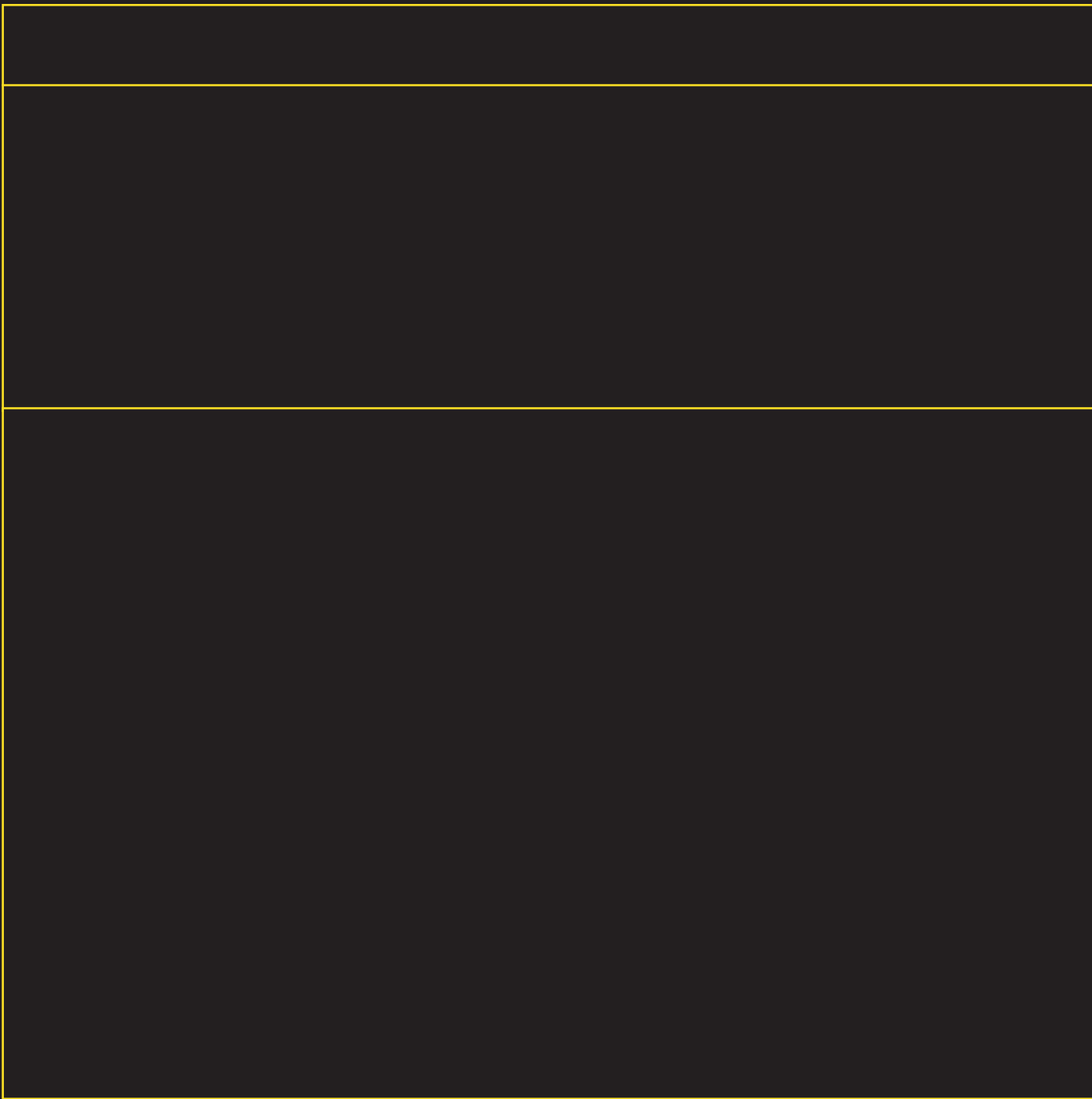
**CORMAX™
Patented Keying System**

M Series Keyway Features

- Patented keys operate both CORMAX and Standard BEST cores (backward compatibility) with existing Stanley/BEST keyways (J,K,L,M only). Standard keys do not operate CORMAX cores.
- Available in large bow, long blade, and long nose key blanks to work with special applications.
- Available in core designs for use in special application locks, such as high security mortise, hotel cylinders, and glass display-case locks.
- Utilizes the same combining kits and key cutting equipment as the Standard BEST keyways.
- M Series keys operate CORMAX cores and Standard (non-patented) BEST cores. Standard key blanks do not operate CORMAX cores.

X Series Keyway Features

- Distinctive key design includes thicker key blanks with larger bow for added strength and easier handling.
- Keyways are unique to CORMAX Patented Keying System offering even higher key duplication protection.
- CORMAX keyways utilize the standard combining kit, minimizing the expense of system changeover.
- X Series keys operate CORMAX cores only.



For more information on Stanley Security Solutions' products, services, and office locations visit our web site at www.stanleysecuritysolutions.com

Product information contained in this catalog has been compiled and presented with as much care and completeness as is reasonably possible. Errors or mistakes may be present, and in many cases, reliance has been placed on information supplied by other manufacturers which may be in error or which may be subject to changes or modifications by the manufacturer without notice and without obligation. Therefore, no guarantee can be made or should be assumed or implied with regards to product information contained in this catalog.



Stanley Security Solutions, Inc.

6161 E. 75th Street Indianapolis, Indiana 46250

www.stanleysecuritysolutions.com • © 2010 Stanley Security Solutions, Inc.

10M R310
BAS028